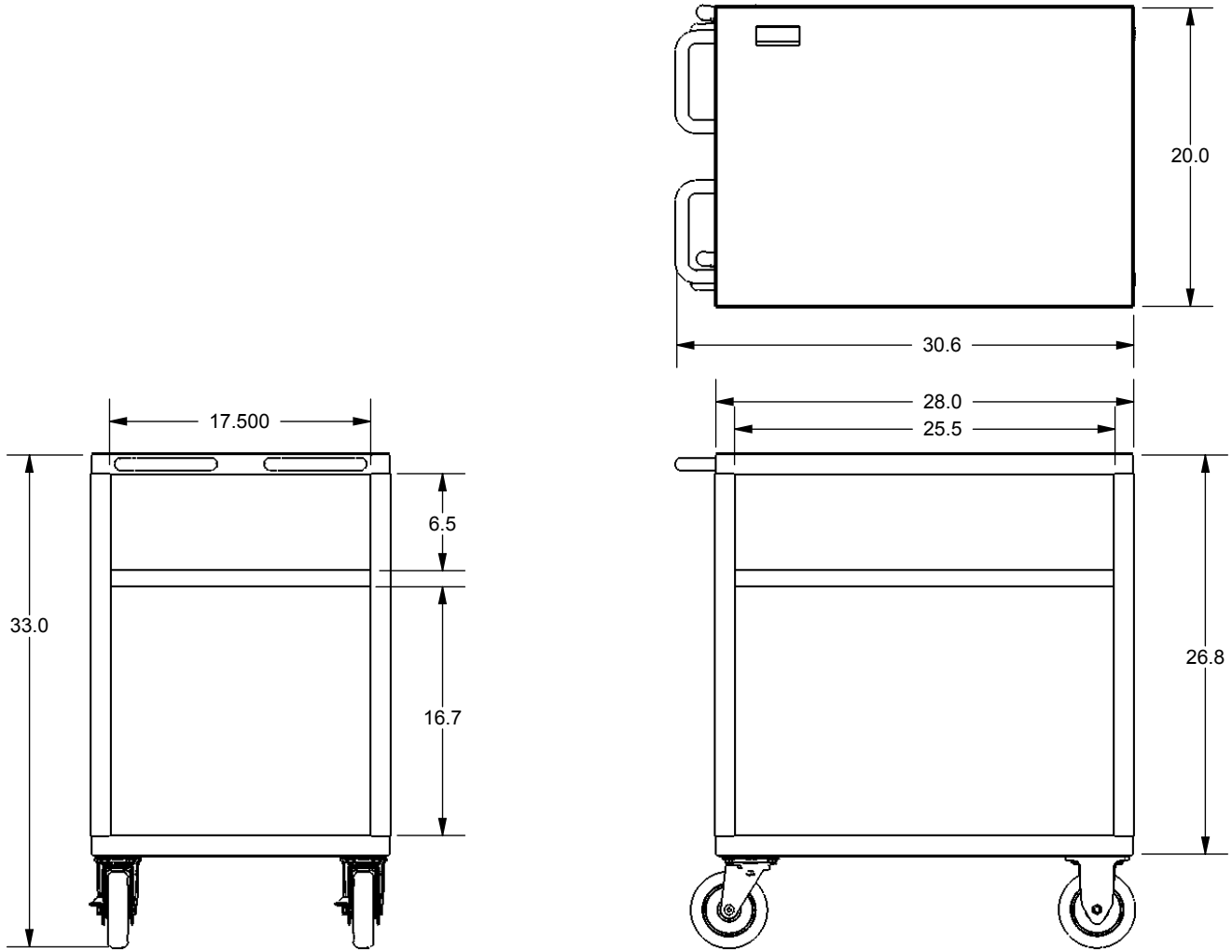


**NOTES:**

1. INTERPRET DRAWING PER ASME Y14.100-2013
2. INTERPRET DIMENSIONS AND TOLERANCES PER ASME Y14.5-2009
3. ALL UNITS ARE INCHES U.N.O.

REVISIONS				
DWN	REV.	DESCRIPTION	DATE	APPROVED
DWF	A	Drawn to SW	6/3/2014	



		THIRD ANGLE PROJECTION	<b>PROPRIETARY NOTICE</b> THIS DRAWING AND INFORMATION CONTAINED WITHIN IS PROPRIETARY TO THUNDER SCIENTIFIC AND CANNOT BE COPIED OR REPRODUCED WITHOUT SPECIFIC WRITTEN PERMISSION		<b>Thunder Scientific Corporation</b> 623 Wyoming S.E. Albuquerque, NM 87123		
					1200 Cart Dimensions		
	1200	<b>TOLERANCES</b> .XXX ±.010 / ±.50° UNLESS NOTED OTHERWISE		DRAWN Sanchez 8/7/2006 CHECKED  11/9/2006 ISSUED  11/9/2006	SIZE <b>A</b> DWG. NO. 05D12913 SCALE: 1 : 12	REV <b>A</b> WT. 74.95	SHEET 1 OF 1
NEXT ASSY	USED ON	APPLICATION					